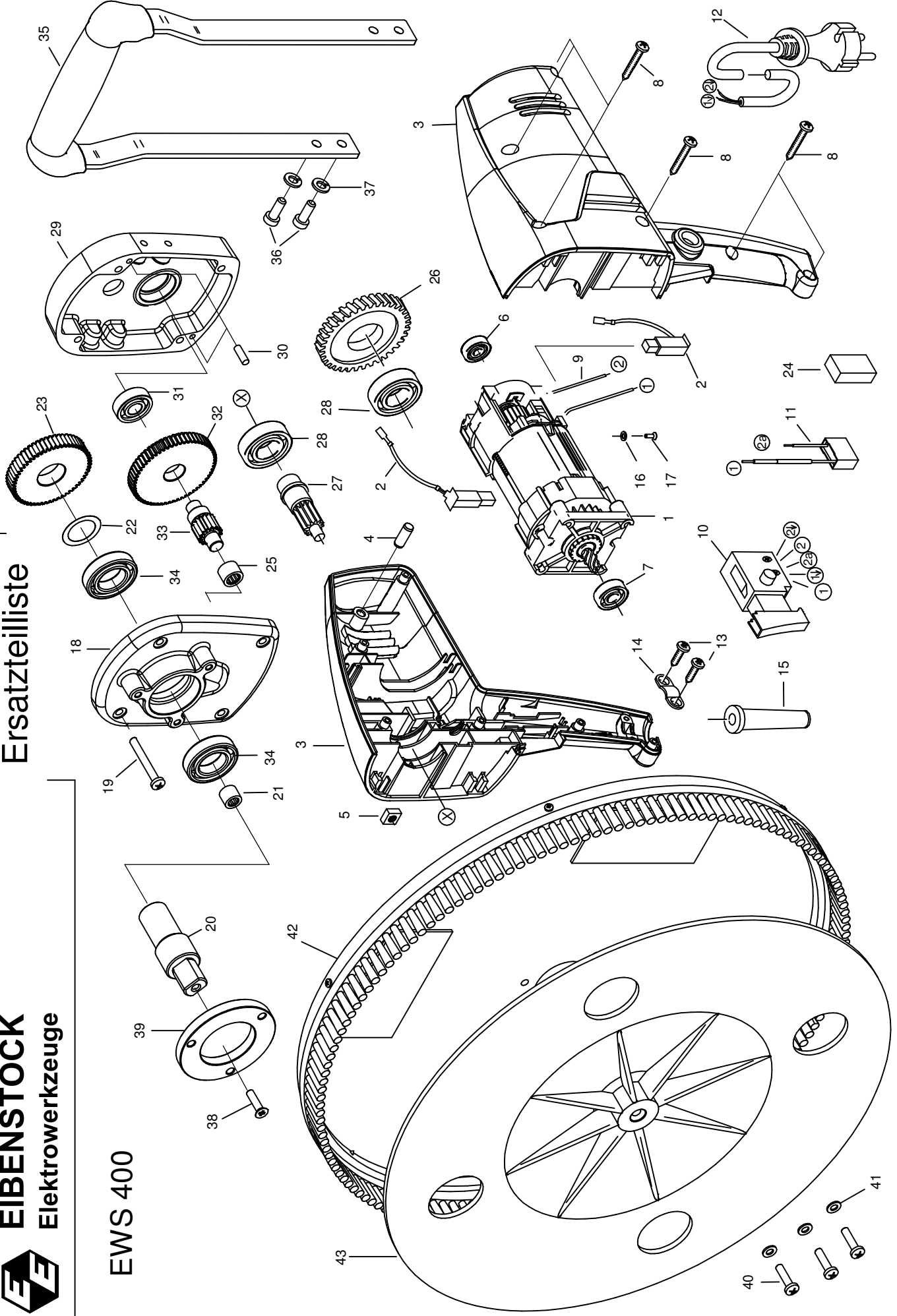




EIBENSTOCK
Elektrowerkzeuge

Ersatzteilliste

EWS 400



Änderungen vorbehalten!

09/12

EWS 400 - 230 V

0620F000

| Nr. | Bezeichnung | Bestellnr. | Stk | Nr. | Bezeichnung | Bestellnr. | Stk |
|-----|------------------------------|------------|-----|-----|------------------------------|------------|-----|
| 1 | Motor, kpl. | 75502100 | 1 | 23 | Spindelrad | 76507430 | 1 |
| 2 | Kohlebürste, kpl. 5x8 | 80700035 | 2 | 24 | Füllstück | 80600306 | 1 |
| 3 | Motorgehäuse, schwarz | 7701C200 | 1 | 25 | Nadelhülse HK1010 | 80420115 | 1 |
| 4 | Silikonstopfen 6x15 | 80901055 | 2 | 26 | Stirnrad | 75502471 | 1 |
| 5 | Vierkantmutter M5 | 80201031 | 4 | 27 | Welle mit Ritzel | 77011500 | 1 |
| 6 | Rillenkugellager 626 2RSL C3 | 80410025 | 1 | 28 | Rillenkugellager 6003 2RS | 80410043 | 2 |
| 7 | Rillenkugellager 608 2RSL C3 | 80410026 | 1 | 29 | Getriebelagerschild, grün | 76507610 | 1 |
| 8 | Blechschaube 4,2x19 Torx | 80201229 | 6 | 30 | Steckerbstift 4x12 | 80200582 | 2 |
| 9 | Anschlußlitze | 80600077 | 2 | 31 | Rillenkugellager 6000 2RS | 80410023 | 1 |
| 10 | Einbauschalte | 80600135 | 1 | 32 | Zwischenrad | 76507470 | 1 |
| 11 | Entstörkondensator 0,22 µF | 77018305 | 1 | 33 | Zwischenwelle | 76507480 | 1 |
| 12 | Anschlußleitung, kpl. 5m | 80600245 | 1 | 34 | Rillenkugellager 6904 2RS | 80410152 | 2 |
| 13 | Blechschaube HC 4,2x9,5 | 80201269 | 2 | 35 | Bügelgriff, kpl. | 80200088 | 1 |
| 14 | Zugentlastungsschelle | 85000020 | 1 | 36 | Innensechskantschraube M6x14 | 80201428 | 4 |
| 15 | Kabelausführungsmuffe | 83000004 | 1 | 37 | Federring 6 | 80201303 | 4 |
| 16 | Scheibe 4,3 | 80201371 | 2 | 38 | Schraube M6x20 | 80201158 | 1 |
| 17 | Blechschaube 2,9x9,5 | 80201251 | 2 | 39 | Distanzring | 7620F410 | 1 |
| 18 | Getriebegehäuse, schwarz | 7620F400 | 1 | 40 | Linsenschraube M5x25 | 80201205 | 3 |
| 19 | Linsenschraube M5x40 | 80201207 | 4 | 41 | U-Scheibe A5,3 | 80201374 | 3 |
| 20 | Arbeitsspindel | 76507420 | 1 | 42 | Absaughaube, kpl. | 7620F94U | 1 |
| 21 | Nadelhülse HK0810 | 80420110 | 1 | 43 | Grundteller | 7620F945 | 1 |
| 22 | Paßscheibe 20/28x0,1 | 80200509 | 1 | | | | |

EWS 400 - 230 V

0620F000

| No. | Description | Order No. | Pcs | No. | Description | Order No. | Pcs |
|-----|--|-----------|-----|-----|-------------------------------|-----------|-----|
| 1 | motor | 75502100 | 1 | 23 | spindle wheel | 76507430 | 1 |
| 2 | carbon brush 5x8x14 | 80700035 | 2 | 24 | foam filler | 80600306 | 1 |
| 3 | motor housing black | 7701C200 | 1 | 25 | needle sleeve HK 1010 | 80420115 | 1 |
| 4 | silicone plug | 80901055 | 2 | 26 | intermediate wheel | 75502471 | 1 |
| 5 | square M5 | 80201031 | 4 | 27 | shaft | 77011500 | 1 |
| 6 | grooved ball bearing 626 2RSL C3 | 80410025 | 1 | 28 | grooved ball bearing 6003 2RS | 80410043 | 2 |
| 7 | grooved ball bearing 608 2RSL C3 | 80410026 | 1 | 29 | end shield of gearing green | 76507610 | 1 |
| 8 | self tapping screw 4,2x19 Torx | 80201229 | 6 | 30 | notched pin plug 4x12 | 80200582 | 2 |
| 9 | pigtail | 80600077 | 2 | 31 | grooved ball bearing 6000 2RS | 80410023 | 1 |
| 10 | switch | 80600135 | 1 | 32 | intermediate wheel | 76507470 | 1 |
| 11 | anti parasite condenser 0,22 µF | 77018305 | 1 | 33 | intermediate shaft | 76507480 | 1 |
| 12 | connecting cable 2x1 ² , 5m | 80600245 | 1 | 34 | grooved ball bearing 6904 2RS | 80410152 | 2 |
| 13 | self tapping screw HC 4,2x9,5 | 80201269 | 2 | 35 | bow handle | 80200088 | 1 |
| 14 | wire locking flange | 85000020 | 1 | 36 | screw M6x14 | 80201428 | 4 |
| 15 | cable grommet | 83000004 | 1 | 37 | lock washer A6 | 80201303 | 4 |
| 16 | disc A4,3 | 80201371 | 2 | 38 | countersunk screw M6x20 | 80201158 | 1 |
| 17 | self tapping screw HC 2,9x9,5 | 80201251 | 2 | 39 | spacer | 7620F410 | 1 |
| 18 | gearbox housing black | 7620F400 | 1 | 40 | lens head screw M5x25 | 80201205 | 3 |
| 19 | lens head screw M5x40 | 80201207 | 4 | 41 | washer A5,3 | 80201374 | 3 |
| 20 | work spindle | 76507420 | 1 | 42 | suction hood | 7620F94U | 1 |
| 21 | needle sleeve HK 0810 | 80420110 | 1 | 43 | basic profile | 7620F945 | 1 |
| 22 | fitting washer 20/28x0,1 | 80200509 | 1 | | | | |